

Monitores TFT para reemplazo de pantallas CRT.

Los monitores de tubo CRT ya están desapareciendo del mercado, *Monitores Industriales*, les ofrece pantallas TFT para instalar en cualquier máquina herramienta o instrumento de medición.

- **Marcas ya estudiadas.**

- ABB * IRD
- Amada * Krauss Maffei
- Arburg * LVD
- Bailey * Norcontrol
- Barco * NUM
- Charmilles * Schenk
- Fanuc * Siemens
- Ferranti * Sperry
- Fisher * Store
- Foxboro * Terasaki
- Gildemeister * Valmet
- Heidelberg * Vaughan
- Heidenhain * Westinghouse
- Honeywell ... y muchos más.



Nuestros chasis y monitores TFT aceptan desde 15 Khz. de Frecuencia Horizontal hasta 60 Khz. según modelos. Consúltenos sus necesidades y le proporcionaremos la solución idónea.

MONITORES INDUSTRIALES

<http://www.monitoresindustriales.es>

Tfn: 944 806 678

Fax: 944 806 681

KME

MONITORES PLANOS

29LW10 SERIES

MONITORES EN CHASIS DE 8.4"

REEMPLAZO DE CRT.



- Dimensiones para chasis de CRT de 10"
- CGA/EGA/VGA o VGA/SVGA
- Programable para señales antiguas.
- Operación a 110/230Vac o 12/24Vdc.
- Apantallado EMC para requerimientos CE.
- La pantalla lleva ajuste de tilt y altura.
- Empaquetado económico y conservador medioambiental.
- Pantalla táctil opcional.
- Controles remotos OSD opcionales.

La serie de monitores LCD industriales **29LW10** ha sido diseñada como reemplazo de los monitores de 10" de CRT. Fácil integración en un amplio rango de instrumentación de medida e interfaces Hombre-Maquina es una clave en el diseño. Este chasis está diseñado para aceptar cabezas estándar de monitor de KME.

Se suministra en formato FLAT-PACK para minimizar costos de empaquetado y envío y es fácil de montar.

Tornillos de fijación en la base y orificios de montaje proporcionan la máxima flexibilidad usando las posiciones de montaje del chasis de CRT existentes.

Se ofrecen dos tipos de monitor:

Serie 51UN para señales antiguas o no estándar (reemplaza a la serie KME CRT 26S10M)

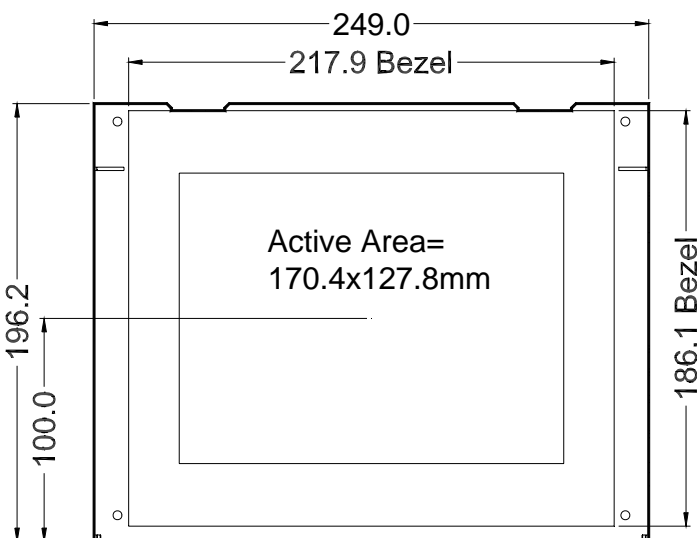
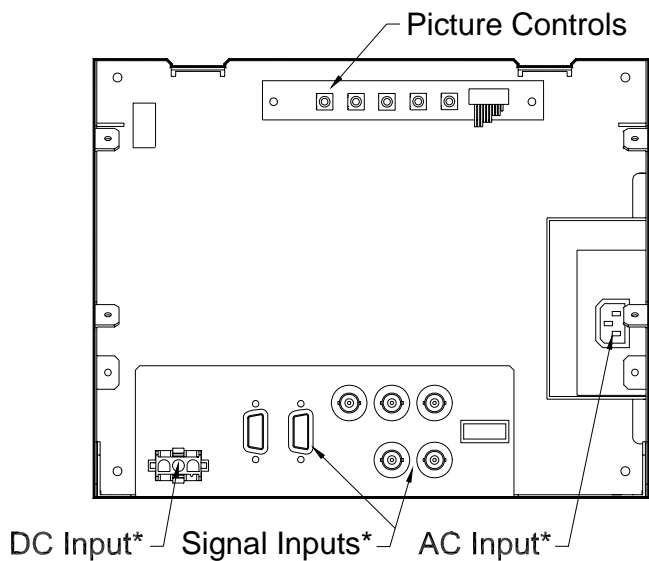
Serie 61M para estándar VGA/SVGA (reemplaza a la serie KME CRT 26S10MA38H series)

	Señales antiguas 15kHz -SVGA	Estándar VGA
Nº de pieza	29LW10A51UN	29LW10MA38H
Área active de la pantalla	170.4 x 127.8mm	
Brillo	400cd/m ²	
Vida estimada de la lámpara	50,000 hours	
Entradas de Video.	Analógico RGB 0.7Vp-p TTL RGB > 2.75Vp-p	Analógico RGB 0.7Vp-p
Tipo/nivel Sincronismo	Separado H&V (+/-ve) TTL Compuesto/Mezclado (-ve) TTL Sync-on-Green (-ve) 0.3V	Separado H&V (+/-ve) TTL
Conectores entrada	BNC x 5 + 9D	DSUB15
Opción ajuste cables 9D & BNC	Si	No
Opción PAL/NTSC	Si	
Barrido Horizontal.	15kHz – 60kHz.	30 – 48kHz.
Barrido Vertical.	40 – 100Hz.	60 – 70Hz.
Voltage alimentación	110/230Vac	110/230Vac
Opcional 12Vdc o 24Vdc	Si	
Consumo (approx.)	30W max.	25W max.
Dimens. (An x Al x Fo) approx.	249 x 196 x 248	
Color cubierta frontal	Gris	Gris



<http://www.monitoresindustriales.es>

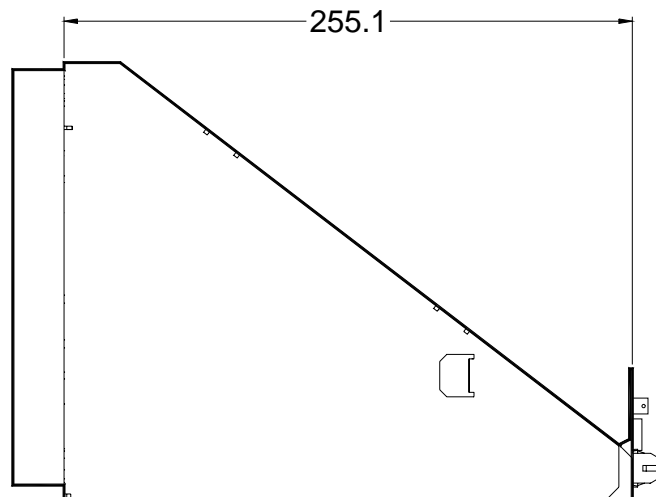
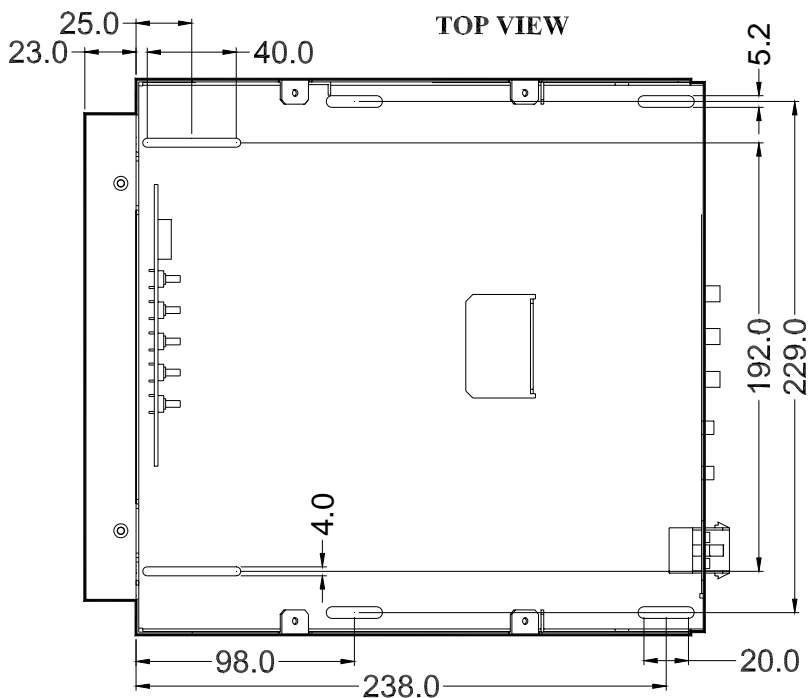
REAR VIEW



FRONT VIEW

*Where Fitted

TOP VIEW



SIDE VIEW

All dimensions in millimetres
(Not to scale)



<http://www.monitoresindustriales.es>

Tfn: 944 806 678

Fax: 944 806 681

FLAT PANEL MONITORS

29LW12 SERIES

12.1" LCD CHASSIS MONITORS

CRT Monitor Replacements



- 12" CRT Chassis Monitor dimensions
- CGA/EGA/VGA or VGA/SVGA compatible
- Programmable for Legacy signals
- 110/230Vac or 12/24Vdc operation
- EMC Shielded for CE requirements
- Screens are Tiltable and Height-adjustable
- Environmentally friendly Flatpack chassis
- Optional Touchscreen Integration
- Optional Remote OSD controls

The **29LW12 series** of Industrial LCD monitors has been designed as replacement for 12" CRT monitors. Ease of integration into a wide range of Measurement, Instrumentation and Human-Machine interface applications has been a key consideration. The simple chassis is designed to accept standard LCD Monitor Heads of KME. It is supplied in Flatpack form to minimise packing & shipping costs, and is easy to assemble. Base plate fixings and holes give maximum flexibility using existing CRT chassis mounting positions.

Two LCD monitor types are offered: **51UN series for Legacy/Non-Standard signals** (replaces KME CRT 27S12DM series) and **61M series for standard VGA/SVGA**. (replaces KME CRT 26S12M and 12MA series)

	Legacy signals 15kHz -VGA	Standard VGA/SVGA
Part Nr	29LW123A51UN	29LW121A61M
Active Display Area	246 x 184.5mm	
Brightness	350cd/m ²	
Backlight Life	50,000 hours	
Video Inputs	Analog RGB 0.7Vp-p TTL RGB > 2.75Vp-p	Analog RGB 0.7Vp-p
Sync. Type/Level	Separate H&V (+/-ve) TTL Composite/Mixed (-ve) TTL Sync-on-Green (-ve) 0.3V	Separate H&V (+/-ve) TTL
Input Connectors	BNC x 6 + 9D + DSUB15	DSUB15
Video Termination (Loop-thru)	Yes	No
PAL/NTSC Options	Yes	
Horizontal Scan Freqy.	15kHz – 60kHz.	30 – 48kHz.
Vertical Scan Freqy.	40 – 100Hz.	60 – 70Hz.
Input Voltage	110/230Vac	110/230Vac
Optional 12Vdc or 24Vdc	Yes	
Power Consumption (approx.)	30W max.	25W max.
Dimensions (W x H x D)	294 x 251 x 292 approx.	
Front Cover Standard Colour	Black	Grey

Due to a policy of continuous product development KME reserves the right to change specifications and descriptions without prior notification. All trade marks acknowledged. 29lw12series1 03/2005



<http://www.monitoresindustriales.es>

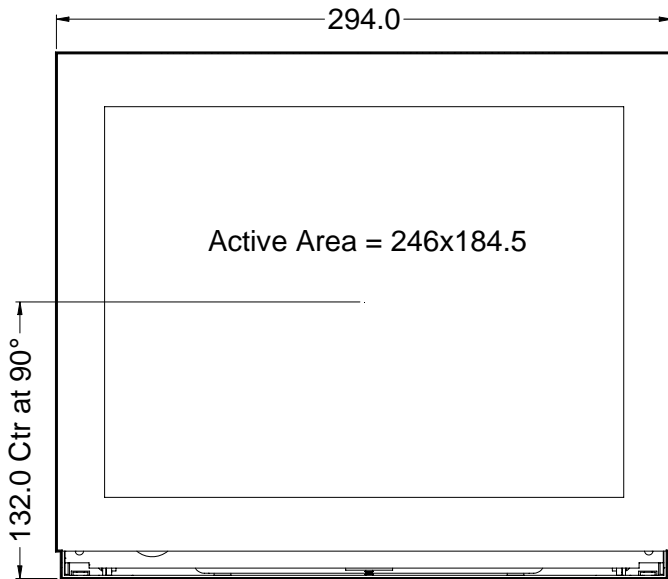
Tfn: 944 806 678

Fax: 944 806 681

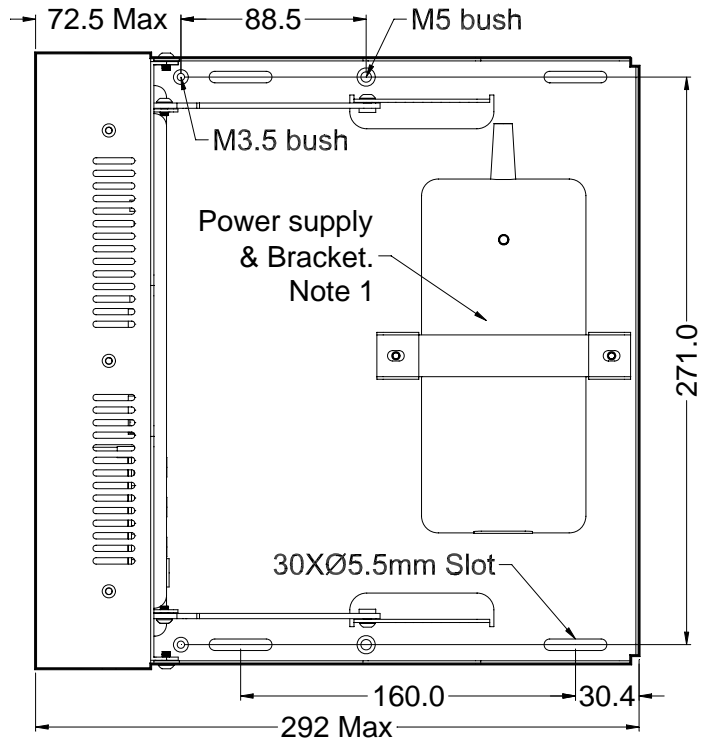
29LW12 SERIES

12.1" LCD MONITOR. (12" CRT replacement)

FRONT VIEW



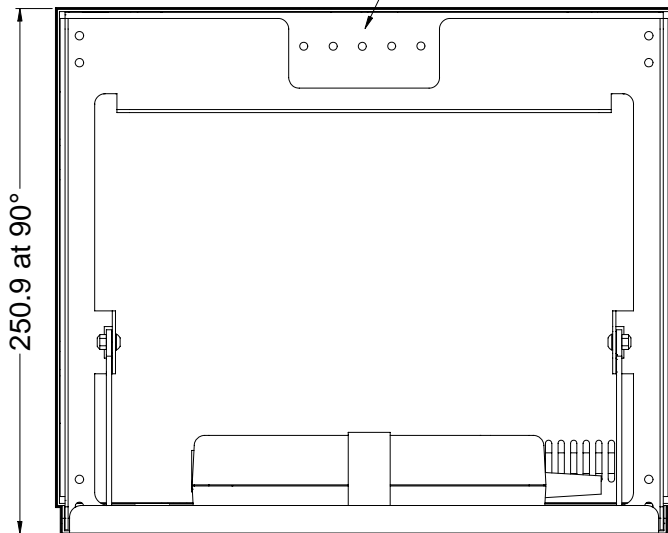
TOP VIEW



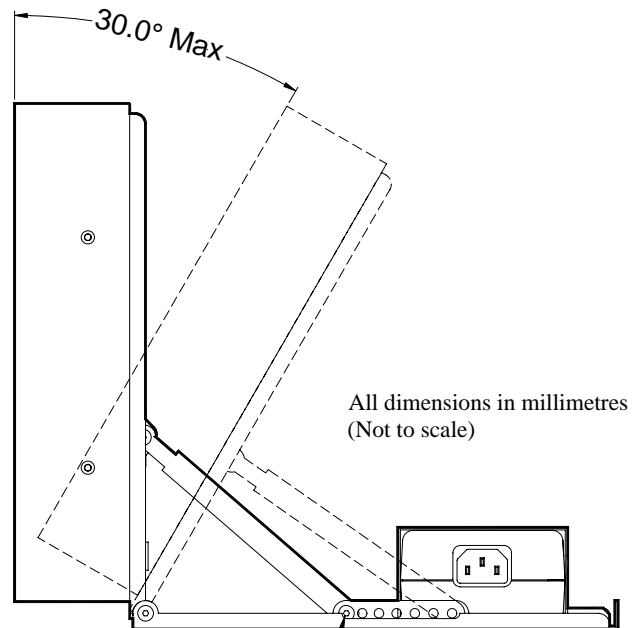
Notes:

1. Power Supply & Bracket supplied separately
2. Chassis Supplied as Flatpack.
(Screws to be secured in chosen position)

Picture controls



REAR VIEW



M4 Screw & Locking Washer
Note 2

SIDE VIEW

29lw12series2 06/2005



<http://www.monitoresindustriales.es>

Tfn: 944 806 678

Fax: 944 806 681

FLAT PANEL MONITORS

29LW14 SERIES

TFT-for-CRT CHASSIS MONITORS



CRT Monitor Replacements

- Para reemplazar a monitor de CRT de 14"
- Usa un panel TFT de 12.1"
- Compatible CGA/EGA/VGA/SVGA Programable para señales antiguas.
- Operación a 110/230Vac o 12/24Vdc.
- Tilt ajustable 0° / 5° / 10° / 15°
- Vidrio reforzado para protección del TFT (opción sin protección TFT & sin cubierta frontal– Serie 10NA)
- Controles OSD remotos opcional.

La serie de monitores LCD industriales **29LW14** ha sido diseñada como reemplazo de los monitores de 14" de CRT. Fácil integración en un amplio rango de instrumentación de medida e interfaces Hombre-Maquina es una clave en el diseño. Emplea el monitor KME TFT 29LM123(78UN) de 12.1" fijo en un chasis abierto. Tornillos de fijación en la base y orificios de montaje proporcionan la máxima flexibilidad usando las posiciones de montaje del chasis de CRT existentes.

Se ofrecen dos tipos de monitor:

Serie 14A para protección total del panel TFT y alta protección EMC.

Serie 14NA para bajo costo, sin cristal de seguridad no cubierta.

	Señales antiguas 15kHz -SVGA	
Nº de Pieza	29LW14A71UN	29LW14NA71UN
Cristal de seguridad	Si	No
Color cubierta frontal	Negro	No lleva
Área active de la pantalla	246 x 184.5mm	
Area de tubo 14" (tipica)	260 x 195mm (Mirar nota inferior)	
Brillo	400cd/m ²	
Vida estimada de la lampara	50,000 hours	
Entradas de Video.	Analógico RGB 0.7Vp-p TTL RGB > 2.75Vp-p con cable Adaptador	
Tipo/nivel Sincronismo	Separado H&V (+/-ve) TTL Compuesto/Mezclado (-ve) TTL Sync-on-Green (-ve) 0.3V	
Conectores entrada	BNC x 6 + 15D	
Barrido Horizontal.	15kHz – 60kHz.	
Barrido Vertical.	40 – 100Hz.	
Voltage alimentación	110/230Vac	
Opcional 12Vdc o 24Vdc	Si	
Consumo (approx.)	30W max.	

Note 1: La pantalla de tamaño 12,1 es más pequeña que la de 14". Esta es la opción más segura. Se pueden suministrar MONITORES TFT de 15" pero pueden ser mas grandes y no adaptarse en el espacio del CRT.



<http://www.monitoresindustriales.es>

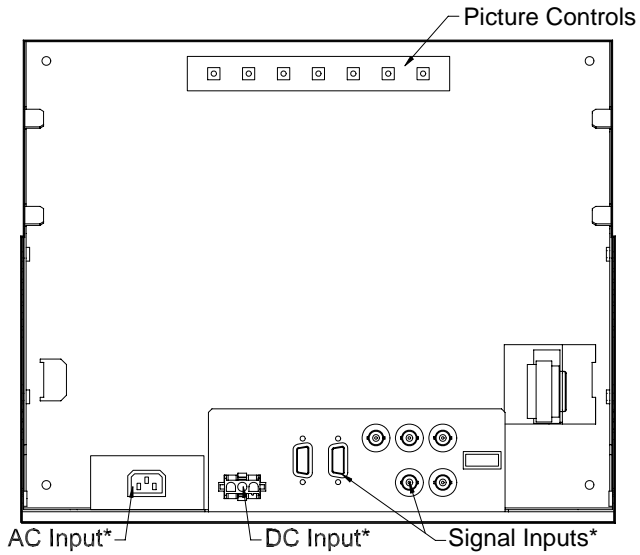
Tfn: 944 806 678

Fax: 944 806 681

29LW14 SERIES

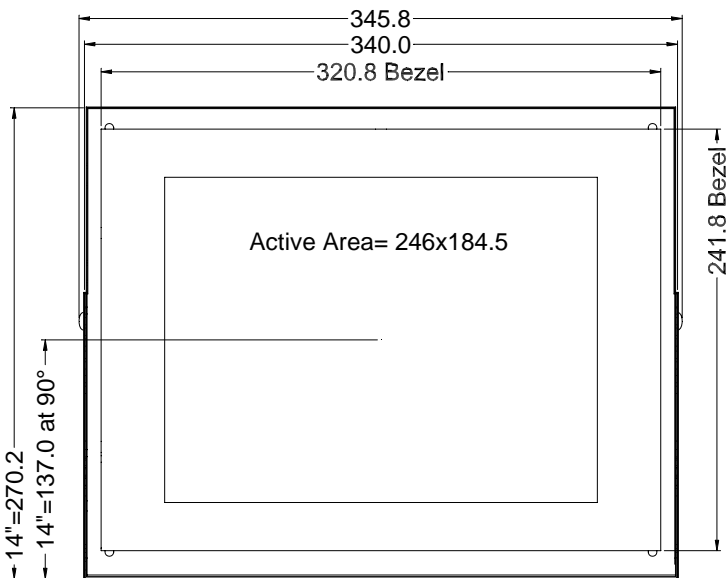
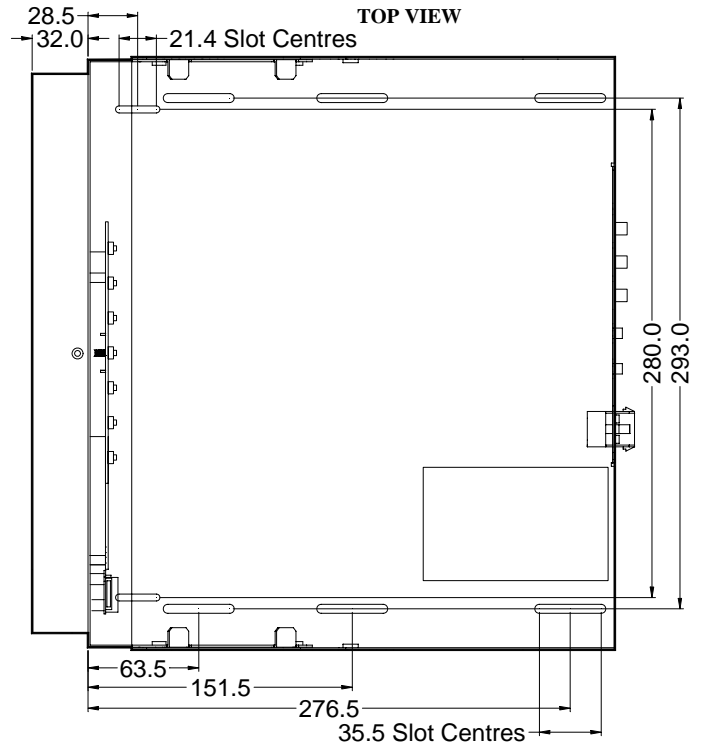
**12.1" LCD FOR 14" CRT REPLACEMENT
CHASSIS MONITOR**

REAR VIEW

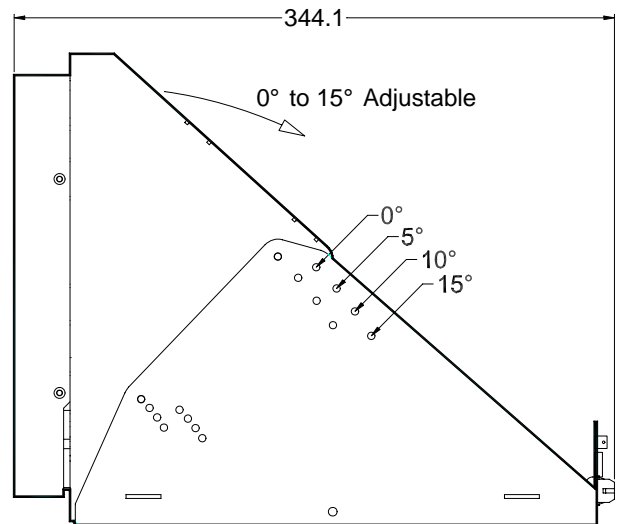


*Where Fitted

TOP VIEW



FRONT VIEW



SIDE VIEW

All dimensions in millimetres
(Not to scale)



<http://www.monitoresindustriales.es>

Tfn: 944 806 678

Fax: 944 806 681

FLAT PANEL MONITORS

29LW17X SERIES

TFT-for-CRT CHASSIS MONITORS



CRT Monitor Replacements

- **17" CRT Chassis Monitor dimensions**
- **Uses 15.0" TFT Panel**
- **CGA/EGA/VGA/SVGA/XGA compatible**
- **Programmable for Legacy signals**
- **110/230Vac or 12/24Vdc operation**
- **Adjustable Tilt Positions 0° / 5° / 10° / 15°**
- **Toughened Safety Glass for TFT protection (option of unprotected TFT panel – 17NAX series)**
- **Optional Remote OSD controls**

The **29LW17X series** of Industrial LCD monitors has been designed as replacement for 17" CRT monitors. Ease of integration into a wide range of Measurement, Instrumentation and Human-Machine interface applications has been a key consideration. It uses KME's 29LM153(78UN) series of Minimum Width 15.0" TFT monitors fixed to an Open-frame chassis. Base plate fixings and holes have been designed to pick up on the original CRT chassis mounting positions. .

Two LCD monitor types are offered: 17AX series for full protection of the TFT panel and best EMC performance; 17NAX series for lowest cost – no Safety Glass or Front Cover.

	Legacy signals 15kHz -XGA	
Part Nr	29LW17AX71UN	29LW17NAX71UN
Safety Glass Fitted	Yes	No
Front Cover Standard Colour	Black	None
Active Display Area	304 x 228mm	
17" CRT Display Area (typical)	300 x 225mm	
Brightness	250cd/m ²	
Backlight Life	50,000 hours	
Video Inputs	Analog RGB 0.7Vp-p TTL RGB > 2.75Vp-p via Adapter cable	
Sync. Type/Level	Separate H&V (+/-ve) TTL Composite/Mixed (-ve) TTL Sync-on-Green (-ve) 0.3V	
Input Connectors	BNC x 5 + 15D	
Horizontal Scan Freqy.	15kHz – 60kHz.	
Vertical Scan Freqy.	40 – 100Hz.	
Input Voltage	110/230Vac	
Optional 12Vdc or 24Vdc	Yes	
Power Consumption (approx.)	30W max.	

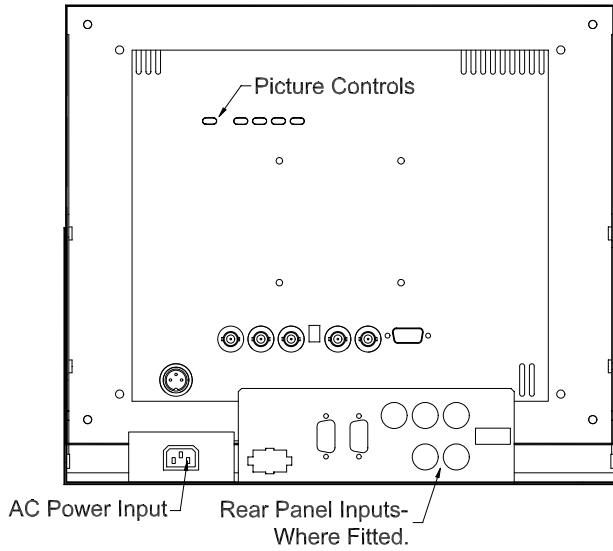
Due to a policy of continuous product development KME reserves the right to change specifications and descriptions without prior notification. All trade marks acknowledged. 29lw17Xseries1 03/2006



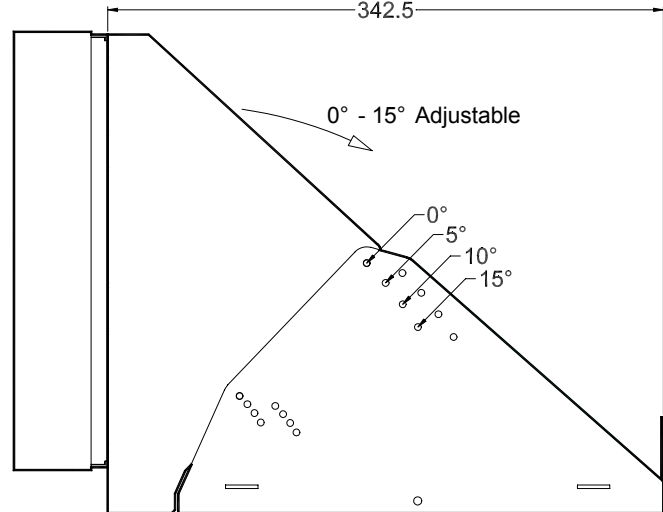
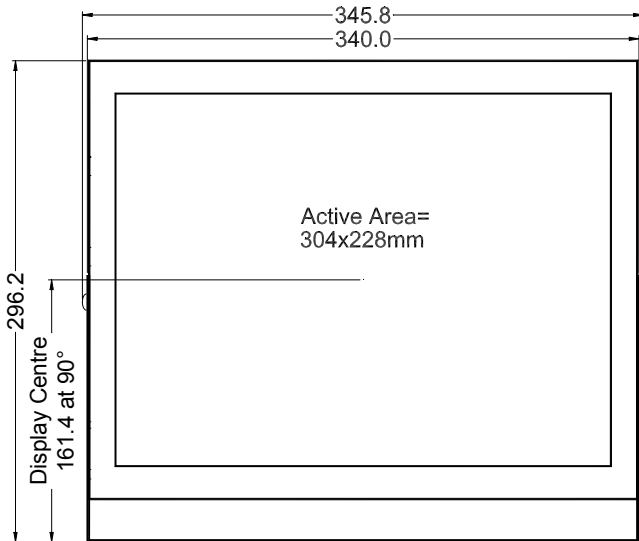
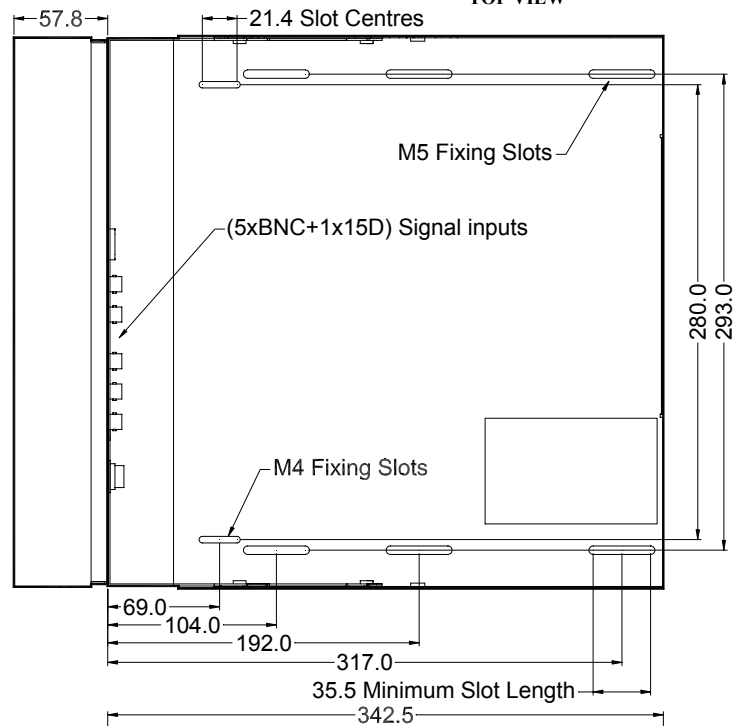
29LW17X(71UN) SERIES

15.0" LCD MONITOR FOR 17" CRT REPLACEMENT

REAR VIEW



TOP VIEW



FRONT VIEW

SIDE VIEW

All dimensions in millimetres
(Not to scale)

29lw17x(71un)2 03/2006

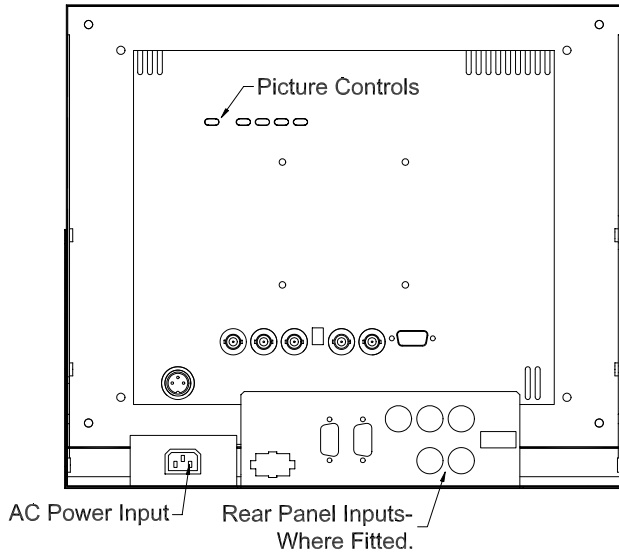
Kent Modular Electronics Limited
 611 Maidstone Road, Rochester, Kent ME1 3QL, UK
 Tel: +44 (0) 1634 830123 Fax: +44 (0) 1634 830619
 E-mail: sales@kme.co.uk URL: <http://www.kme.co.uk>

29LW17NX(71UN) SERIES

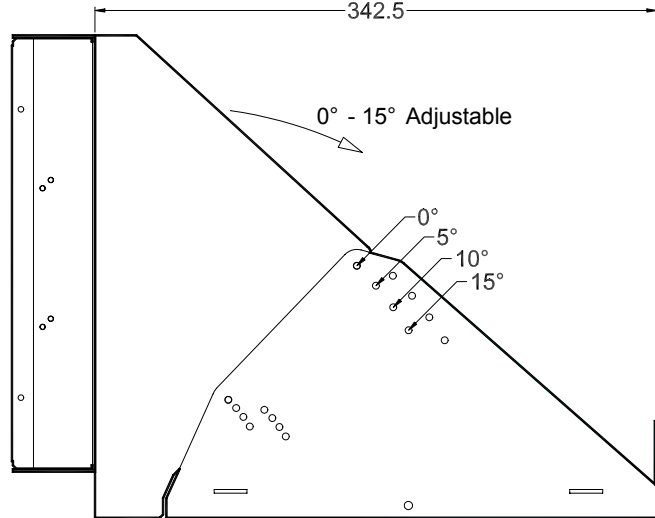
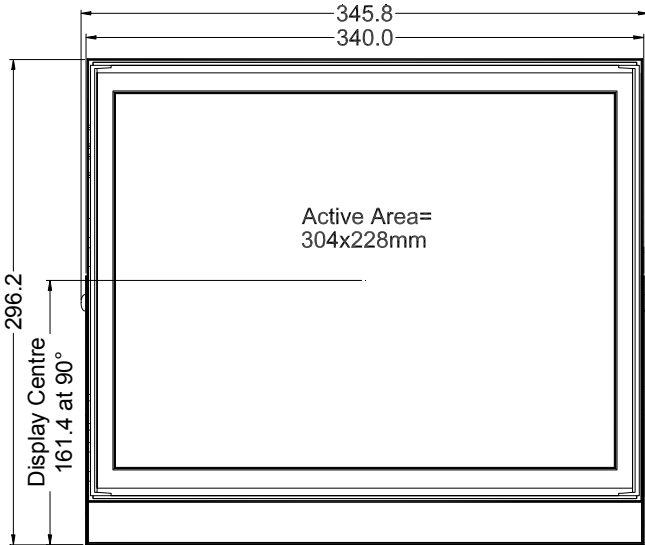
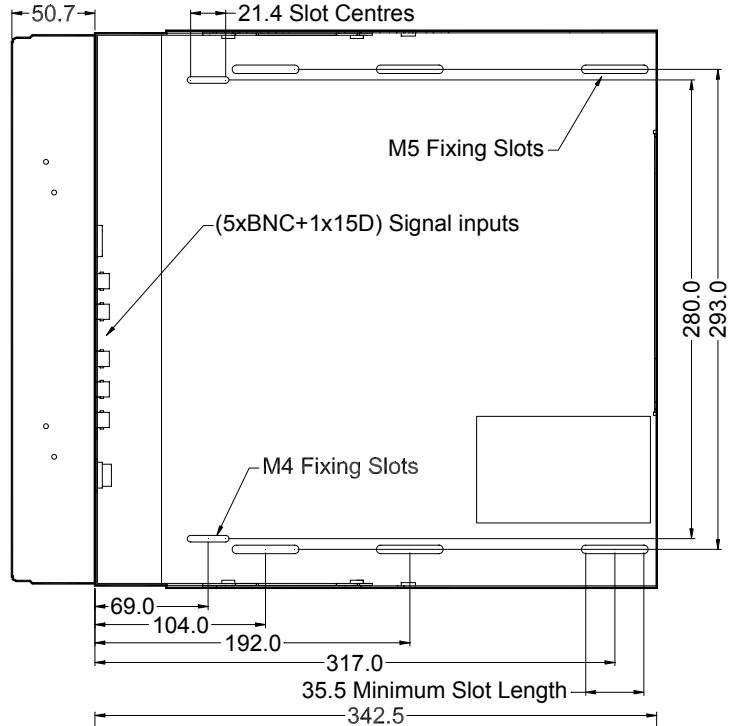
15.0" LCD MONITOR FOR 17" CRT REPLACEMENT.

(No Protection Glass or Front Cover)

REAR VIEW



TOP VIEW



FRONT VIEW

SIDE VIEW

All dimensions in millimetres
(Not to scale)

29lw17nx(71un)2 03/2006

Kent Modular Electronics Limited
 611 Maidstone Road, Rochester, Kent ME1 3QL, UK
 Tel: +44 (0) 1634 830123 Fax: +44 (0) 1634 830619
 E-mail: sales@kme.co.uk URL: <http://www.kme.co.uk>

FLAT PANEL MONITORS

29LW19 SERIES

TFT-for-CRT CHASSIS MONITORS



CRT Monitor Replacements

- 19"/20" CRT Chassis Monitor dimensions
- CGA/EGA/VGA or VGA/SXGA compatible
- Programmable for Legacy signals
- 110/230Vac or 12/24Vdc operation
- TFT Panel protected by Toughened Glass
- Height-adjustable Head for 19" & 20"
- Rugged Metal Chassis with multiple fixings
- Optional Touchscreen Integration
- Optional Remote OSD controls

The **29LW19 series** of Industrial LCD monitors has been designed as replacement for 19" & 20" CRT monitors. Ease of integration into a wide range of Measurement, Instrumentation and Human-Machine interface applications has been a key consideration. The simple chassis is designed for lowest cost using 19.0" TFT panels in an open-frame construction. Base plate fixings and holes have been designed to pick up on the original CRT chassis mounting positions. The monitor's head can be height-adjusted to suit the display centre point of the original CRT. Set up is via rear mounted OSD controls.

Two LCD monitor types are offered: **51UN series for Legacy/Non-Standard signals** (replaces KME CRT 27S19DMA01 & 27S20DMA01 series) and **61M series for standard VGA/SXGA**. (replaces 27S19DMB01 series)

	Legacy signals 15kHz -VGA	Standard VGA/SVGA
Part Nr	29LWC19DMA01	29LWC19DMB01
Active Display Area	376 x 301mm	
Brightness	250cd/m ²	
Backlight Life	50,000 hours	
Video Inputs	Analog RGB 0.7Vp-p TTL RGB > 2.75Vp-p	Analog RGB 0.7Vp-p
Sync. Type/Level	Separate H&V (+/-ve) TTL Composite/Mixed (-ve) TTL Sync-on-Green (-ve) 0.3V	Separate H&V (+/-ve) TTL
Input Connectors	BNC x 5 + 9D + DSUB15	DSUB15
Video Termination (Loop-thru)	Yes	No
PAL/NTSC Options	Yes	
Horizontal Scan Freqy.	15kHz – 80kHz.	30 – 48kHz.
Vertical Scan Freqy.	40 – 100Hz.	60 – 70Hz.
Input Voltage	110/230Vac	110/230Vac
Optional 12Vdc or 24Vdc	Yes	
Power Consumption (approx.)	50W max.	50W max.
Dimensions (W x H x D)	H360 x W447 x D348 mm approx.	
Front Cover Standard Colour	Grey	Grey

Due to a policy of continuous product development KME reserves the right to change specifications and descriptions without prior notification. All trade marks acknowledged. 29lw19series1 10/2005



<http://www.monitoresindustriales.es>

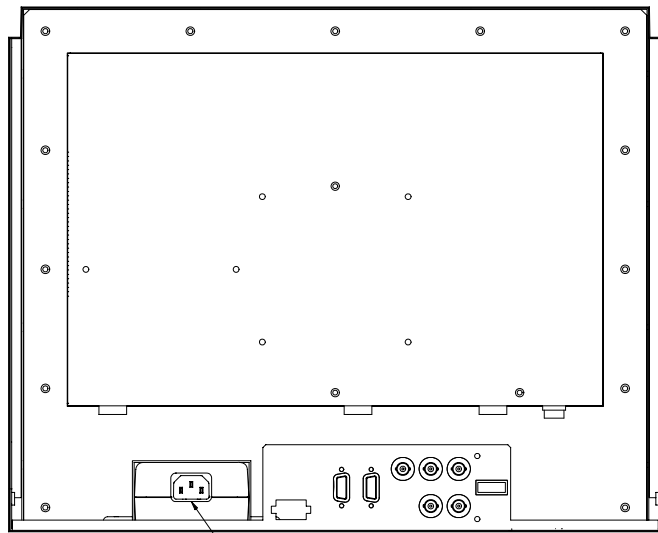
Tfn: 944 806 678

Fax: 944 806 681

29LW19 SERIES

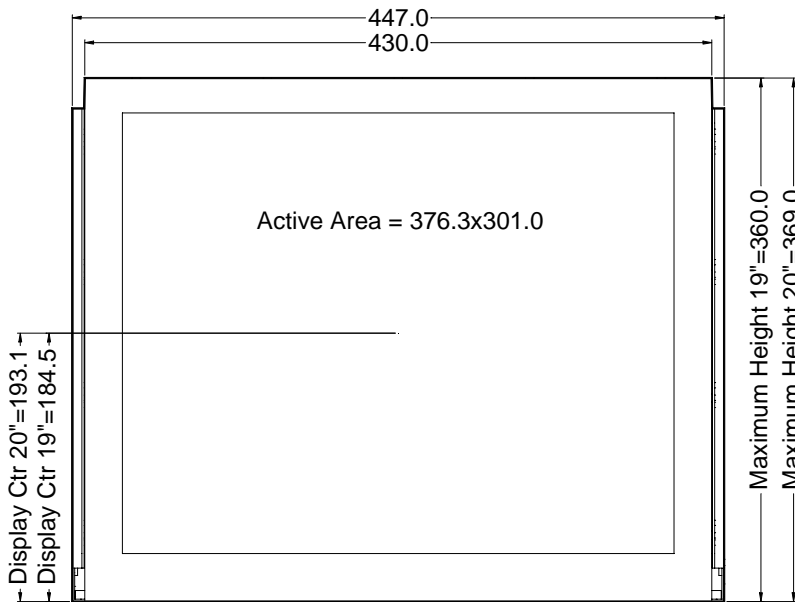
**19" LCD FOR 19"/20" CRT REPLACEMENT
CHASSIS MONITOR**

REAR VIEW

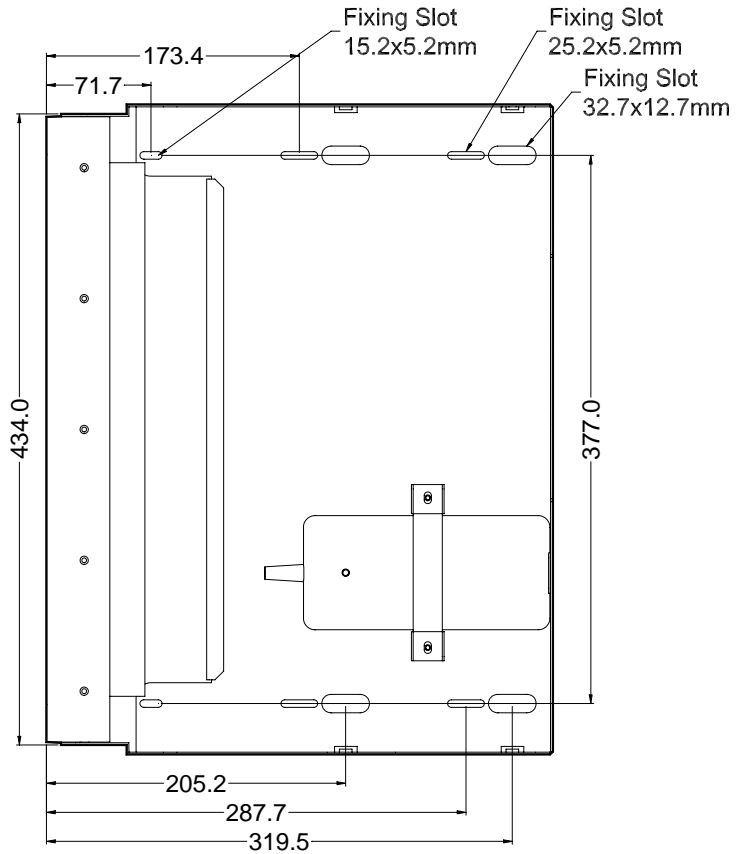


AC Input (Where Fitted)

FRONT VIEW



TOP VIEW



SIDE VIEW

