

FLAT PANEL MONITORS

29LV101 (71UN) SERIES

10.4" LCD MODULES

DISPLAY

| | |
|---------------------|------------------------------|
| Type: | AM Colour TFT |
| No. Colours: | 256k |
| Max. Resolution: | 800 x 600 pixels |
| Active Display Area | 211.2 x 158.4 mm |
| Backlight: | Dual Edge CFL x 2 |
| Backlight Life: | 50,000 hours typical |
| Brightness: | 400cd/m ² typical |
| Contrast Ratio: | 500:1 typical |
| Viewing Angles: | 120° H, 100°V |

SIGNAL INPUTS

| | |
|---|---|
| Video: | Analog RGB 0.7V p-p OR TTL RGB >2.75Vp-p (via special TTL accessory cable) |
| Input Connectors: | 5 x BNC 75R 15-pin HD Female |
| Sync. Type/Level: | Separate H&V (+/-ve) TTL or Composite (-ve) TTL or Sync-on-Green (-ve) 0.3V |
| Multiscan Support: | 800 x 600 SVGA 640 x 480 VGA + pre-programmed timings in 15-30kHz range |
| Horizontal Scan: | 15 – 60kHz |
| Vertical Scan: | 40 – 100Hz |
| Clock Rate: | 80MHz max. |
| Controls: (On Screen Display buttons at rear) | Brightness, Contrast, H/V Position & Size, Frequency, Frequency Fine |

POWER INPUTS

| | |
|--------------------|----------------------|
| DC Model: | 12Vdc (24Vdc option) |
| Power Consumption: | 25W Max. |

PHYSICAL / ENVIRONMENTAL

| | |
|----------------------|--------------------------|
| Front Panel: | Black Painted Aluminium |
| Dimensions (approx): | 289.2 x 225.7 x 68.5mm |
| Weight (approx): | 3kg. approx. |
| Operating Temp: | 0 to 50 ⁰ C |
| Storage Temp: | -20 to 60 ⁰ C |

PART NUMBERS

| | |
|----------------|----------------------|
| Standard Model | 29LV101E71UN (12Vdc) |
| Optional Model | 29LV101D71UN (24Vdc) |
| AC Power Pack | 20BK0220/1 |

CRT Monitor Replacements



- **For 12" CRT Monitor Replacement**
- **Front Plate to suit 12" CRT Fixing Lugs**
- **Original CRT Chassis Stays in Place**
- **Analogue + TTL Video inputs via BNC, 15HD**
- **Non-standard Legacy signals easily programmed**
- **Toughened Glass for TFT protection**
- **Optional Touchscreen Integration**

The **29LV101E71UN** Industrial LCD monitor has been designed as replacement for 12" CRT monitors now that supplies of 12" CRTs are difficult to obtain.

KME has designed a rugged LCD monitor module, of minimum width, to match the dimensions of many 12" CRT monitor chassis. When the CRT is removed from the existing chassis metalwork the LCD monitor (mounted on a metal panel with fixing holes to match the CRT Lugs) can be fitted in place.

A wide range of signal timings from 15kHz up to VGA standard, including CGA & EGA legacy signals can be accepted by the LCD monitor. Set-up controls for fine-tuning of the display are located at the rear of the monitor. Once set, no further adjustments should be required, and the last setting is stored in memory.

Note: The Active Display Area on a 12" Colour CRT is typically 225 x 169mm. On the 10.4" TFT it is 211 x 158mm maximum.

Due to a policy of continuous product development KME reserves the right to change specifications and descriptions without prior notification. All trade marks acknowledged. 29lv101(71un)1 03/2006

MONITORES INDUSTRIALES

<http://www.monitoresindustriales.es>

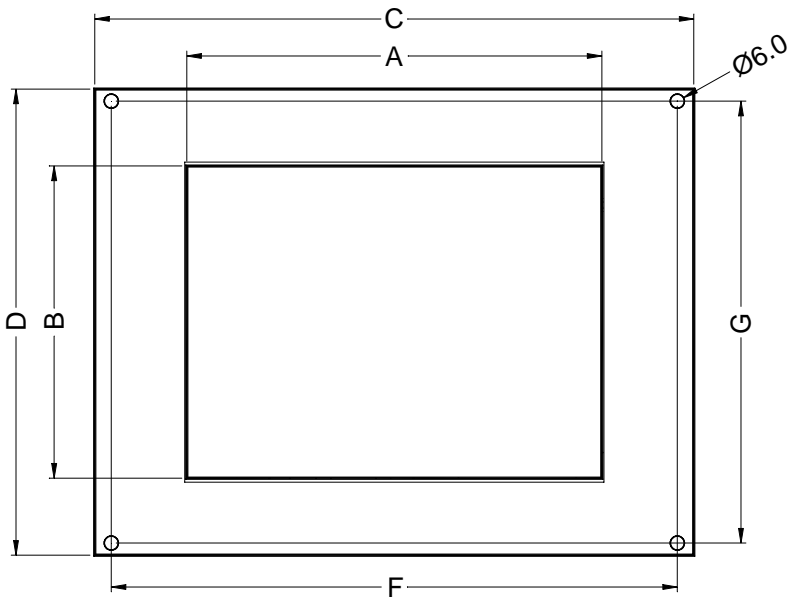
Tfn: 944 806 678

Fax: 944 806 681

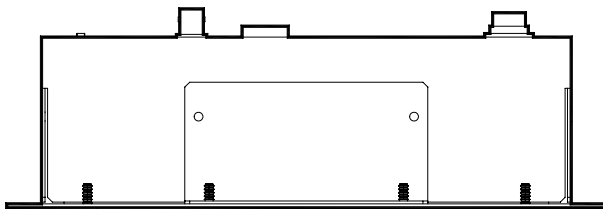
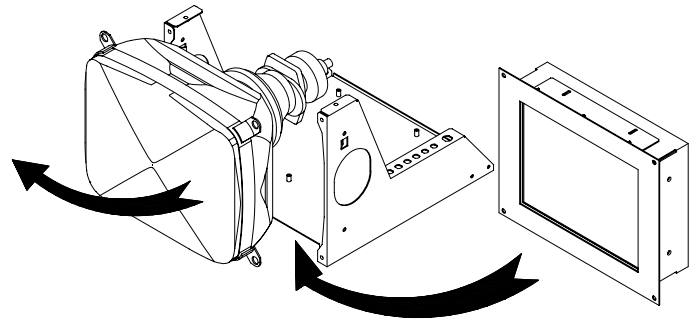
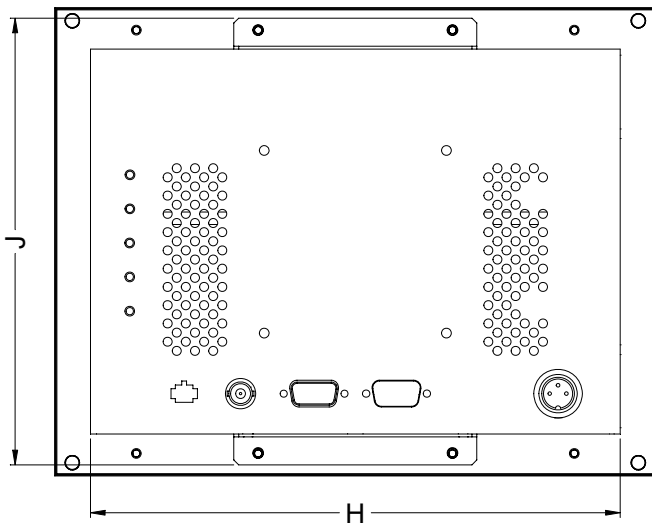
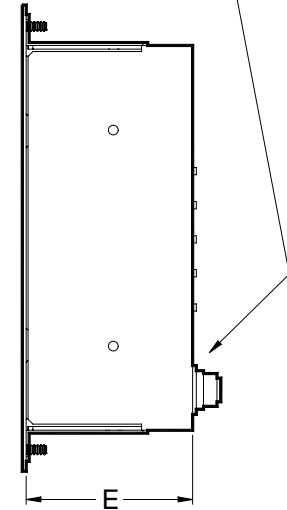


29LV SERIES

LCD/CRT REPLACEMENTS (8.4", 10.4", 12.1")



All controls & inputs on rear.



| CRT/LCD REPLACEMENT | | | |
|---------------------|---------------|----------------|----------------|
| CRT | 10" | 12" | 14" |
| LCD | 29LV081(8.4") | 29LV101(10.4") | 29LV123(12.1") |
| A | 170.9 | 211.2 | 246.0 |
| B | 128.2 | 158.4 | 184.5 |
| C | 246.6 | 289.2 | 329.3 |
| D | 191.4 | 225.7 | 260.7 |
| E | 68.5 | 68.5 | 55.0 |
| F | 233 | 272.0 | 311.4 |
| G | 181.5 | 211.8 | 243.2 |
| H | 222 | 257.6 | 294.0 |
| J | 183.5 | 221.9 | 238.0 |

All dimensions in Millimetres
(Not to scale)

MONITORES INDUSTRIALES

29lv0812-2

09/2005

<http://www.monitoresindustriales.es>

Tfn: 944 806 678

Fax: 944 806 681