

FLAT PANEL MONITORS

29LV101 (51UN) SERIES

10.4" LCD MODULES

DISPLAY

Type:	AM Colour TFT
No. Colours:	256k
Max. Resolution:	640 x 480 pixels
Active Display Area	211.2 x 158.4 mm
Backlight:	Dual Edge CFL x 2
Backlight Life:	50,000 hours typical
Brightness:	380cd/m ² typical
Contrast Ratio:	500:1 typical
Viewing Angles:	120° H, 100°V

SIGNAL INPUTS

Video:	Analog RGB 0.7V p-p OR TTL RGB >2.75Vp-p
Input Connectors:	5 x BNC 75R 15-pin HD Female 9-pin D Female
Sync. Type/Level:	Separate H&V (+/-ve) TTL or Composite (-ve) TTL or Sync-on-Green (-ve) 0.3V
Multiscan Support:	640 x 480 VGA 640 x 400 640 x 350 + other pre-programmed timings in 15-30kHz range + user set-up and store
Horizontal Scan:	15 – 60kHz
Vertical Scan:	40 – 100Hz
Clock Rate:	80MHz max.
Controls: (On Screen Display buttons at rear)	Brightness, Contrast, H/V Position & Size, Frequency, Frequency Fine, Colour

POWER INPUTS

DC Model:	12Vdc (24Vdc option)
Power Consumption:	25W Max.

PHYSICAL / ENVIRONMENTAL

Front Panel:	Black Painted Aluminium
Dimensions (approx):	289.2 x 225.7 x 68.5mm
Weight (approx):	3kg. approx.
Operating Temp:	0 to 50° C
Storage Temp:	-20 to 60° C

PART NUMBERS

Standard Model	29LV101E51UN (12Vdc)
Optional Model	29LV101D51UN (24Vdc)
AC Power Pack	20BK0220/1

CRT Monitor Replacements



- For 12" CRT Monitor Replacement
- Front Plate to suit 12" CRT Fixing Lugs
- Original CRT Chassis Stays in Place
- Analogue + TTL Video inputs via BNC, 9D, 15HD
- Non-standard Legacy signals easily programmed
- Toughened Glass for TFT protection
- Optional Touchscreen Integration

The **29LV101E51UN** Industrial LCD monitor has been designed as replacement for 12" CRT monitors now that supplies of 12" CRTs are difficult to obtain.

KME has designed a rugged LCD monitor module, of minimum width, to match the dimensions of many 12" CRT monitor chassis.

When the CRT is removed from the existing chassis metalwork the LCD monitor (mounted on a metal panel with fixing holes to match the CRT Lugs) can be fitted in place.

A wide range of signal timings from 15kHz up to VGA standard, including CGA & EGA legacy signals can be accepted by the LCD monitor. Set-up controls for fine-tuning of the display are located at the rear of the monitor. Once set, no further adjustments should be required, and the last setting is stored in memory.

Note: The Active Display Area on a 12" Colour CRT is typically 225 x 169mm. On the 10.4" TFT it is 211 x 158mm.

Due to a policy of continuous product development KME reserves the right to change specifications and descriptions without prior notification. All trade marks acknowledged. 29lv101(51un)1 05/2005



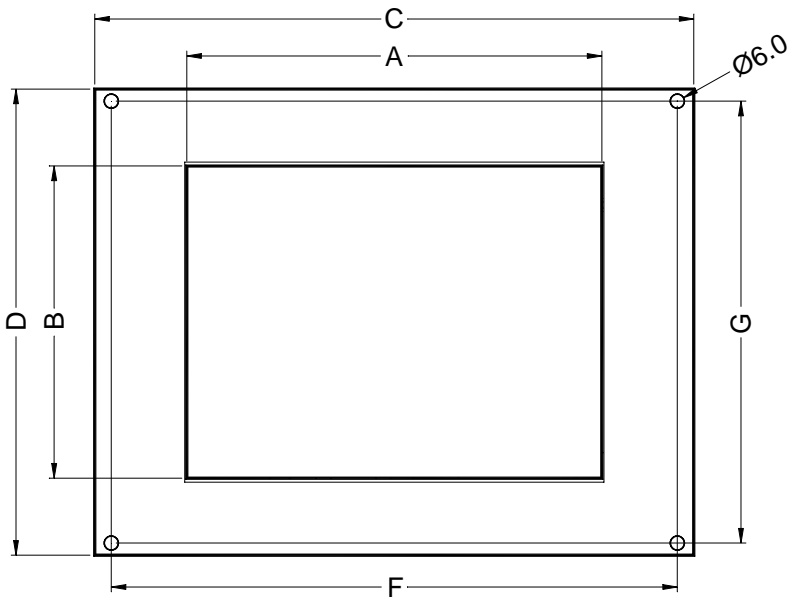
<http://www.monitoresindustriales.es>

Tfn: 944 806 678

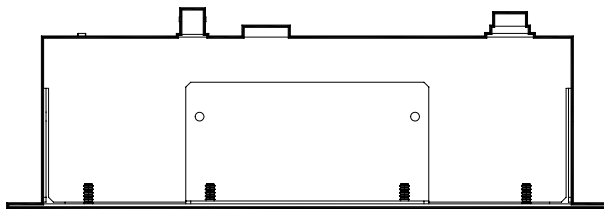
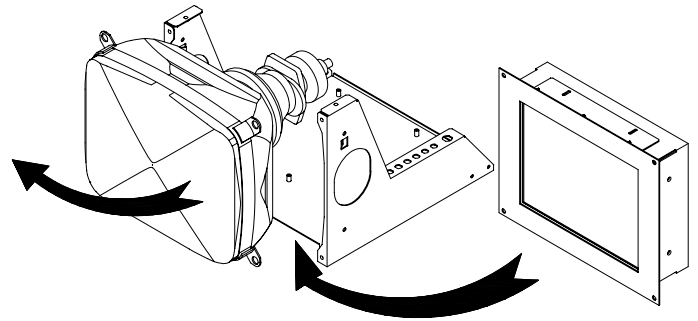
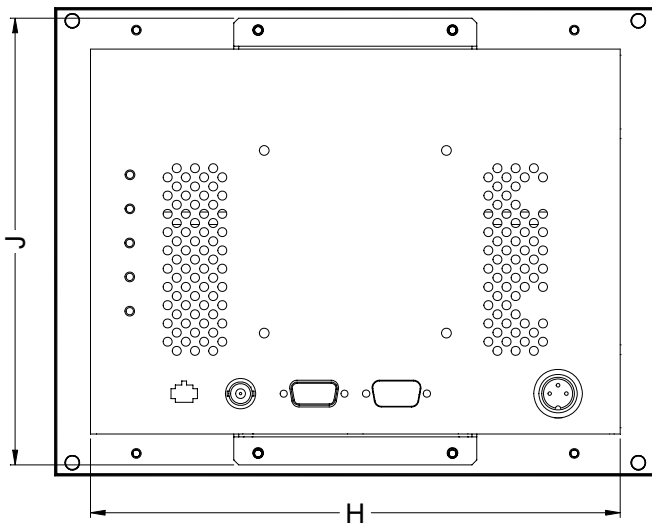
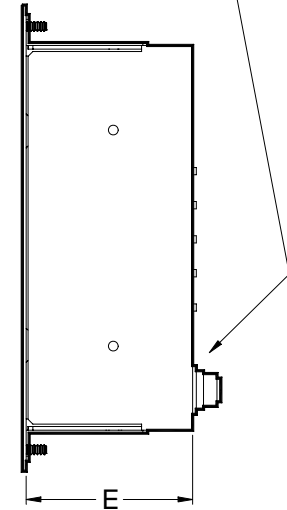
Fax: 944 806 681

29LV SERIES

LCD/CRT REPLACEMENTS (8.4", 10.4", 12.1")



All controls & inputs on rear.



CRT/LCD REPLACEMENT			
CRT	10"	12"	14"
LCD	29LV081(8.4")	29LV101(10.4")	29LV123(12.1")
A	170.9	211.2	246.0
B	128.2	158.4	184.5
C	246.6	289.2	329.3
D	191.4	225.7	260.7
E	68.5	68.5	55.0
F	233	272.0	311.4
G	181.5	211.8	243.2
H	222	257.6	294.0
J	183.5	221.9	238.0

All dimensions in Millimetres
(Not to scale)

MONITORES INDUSTRIALES

29lv0812-2

09/2005

<http://www.monitoresindustriales.es>

Tfn: 944 806 678

Fax: 944 806 681