

FLAT PANEL MONITORS

29LV081(51UN) SERIES

8.4" LCD MODULES

DISPLAY

Type:	AM Colour TFT
No. Colours:	256k
Max. Resolution:	640 x 480 pixels
Active Display Area	170.9 x 128.2 mm
Backlight:	Dual Edge CFL x 2
Backlight Life:	50,000 hours typical
Brightness:	400 cd/m ² typical
Contrast Ratio:	450:1 typical
Viewing Angles:	130° H, 110°V

SIGNAL INPUTS

Video:	Analog RGB 0.7V p-p OR TTL RGB >2.75Vp-p
Input Connector:	15-pin HD Female (Adaptor Cables required for BNC or 9D inputs – please request when ordering)
Sync. Type/Level:	Separate H&V (+/-ve) TTL or Composite (-ve) TTL or Sync-on-Green (-ve) 0.3V
Multiscan Support:	640 x 480 VGA 640 x 400 640 x 350 + other pre-programmed timings in 15-30kHz range + user set-up and store
Horizontal Scan:	15 – 60kHz
Vertical Scan:	40 – 100Hz
Clock Rate:	80MHz max.
Controls: (On Screen Display buttons at rear)	Brightness, Contrast, H/V Position & Size, Frequency, Frequency Fine, Colour

POWER INPUTS

DC Model:	12Vdc (24Vdc option)
Power Consumption:	25W Max.

PHYSICAL / ENVIRONMENTAL

Front Panel:	Black Painted Aluminium
Dimensions (approx):	246.6 x 191.4 x 68.5 mm
Weight (approx):	2.5kg. approx.
Operating Temp:	0 to 50 ⁰ C
Storage Temp:	-20 to 60 ⁰ C

PART NUMBERS

Standard Model	29LV081E51UN (12Vdc)
Optional Model	29LV081D51UN (24Vdc)
AC Power Pack	20BK0220/1

CRT Monitor Replacements



- **For 10" Colour CRT Monitor Replacement**
- **Front Plate to suit 10" CRT Fixing Lugs**
- **Original CRT Chassis Stays in Place**
- **Analogue + TTL Video inputs**
- **Non-standard Legacy signals easily programmed**
- **Non-Glare Acrylic for TFT protection**
- **Optional Touchscreen Integration**

The **29LV081E51UN** Industrial LCD monitor has been designed as replacement for 10" CRT monitors now that supplies of 10" CRTs are difficult to obtain.

KME has designed a rugged LCD monitor module, of minimum width, to match the dimensions of many 10" CRT monitor chassis.

When the CRT is removed from the existing chassis metalwork the LCD monitor (mounted on a metal panel with fixing holes to match the CRT Lugs) can be fitted in place.

A wide range of signal timings from 15kHz up to VGA standard, including CGA & EGA legacy signals can be accepted by the LCD monitor. Set-up controls for fine-tuning of the display are located at the rear of the monitor. Once set, no further adjustments should be required, and the last setting is stored in memory.

Note: The Active Display Area on a 10" Colour CRT is typically 175 x 130 mm. On the 8.4" TFT it is 170.9 x 128.2 mm

Due to a policy of continuous product development KME reserves the right to change specifications and descriptions without prior notification. All trade marks acknowledged. 29lv081(51un)1 05/2005



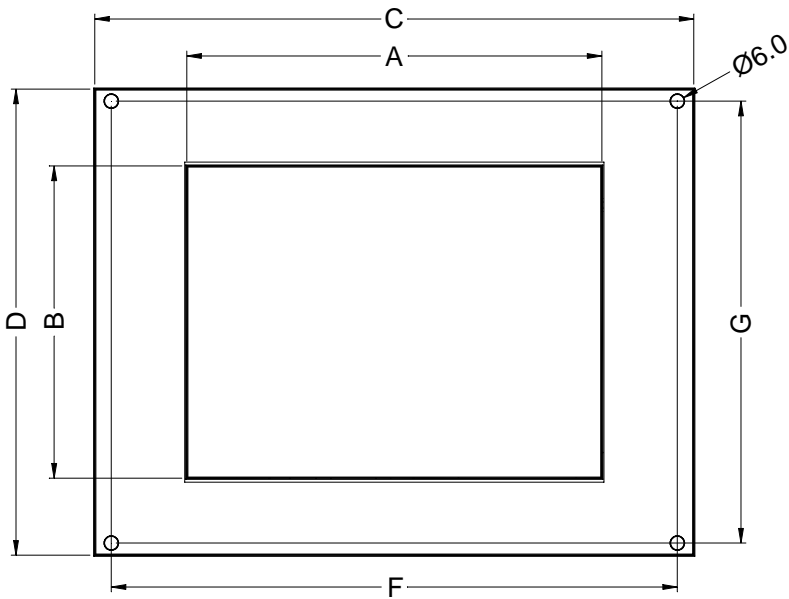
<http://www.monitoresindustriales.es>

Tfn: 944 806 678

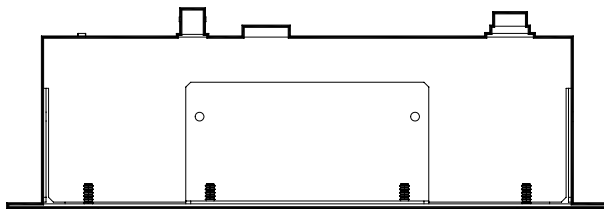
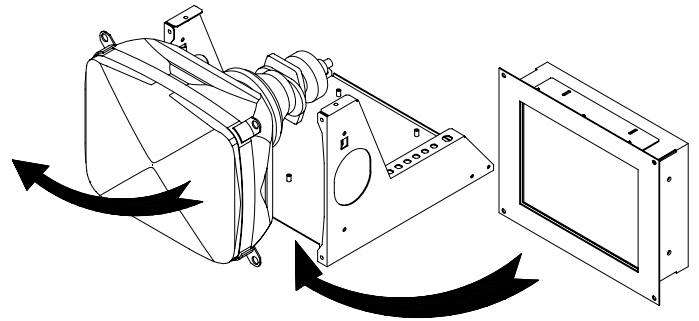
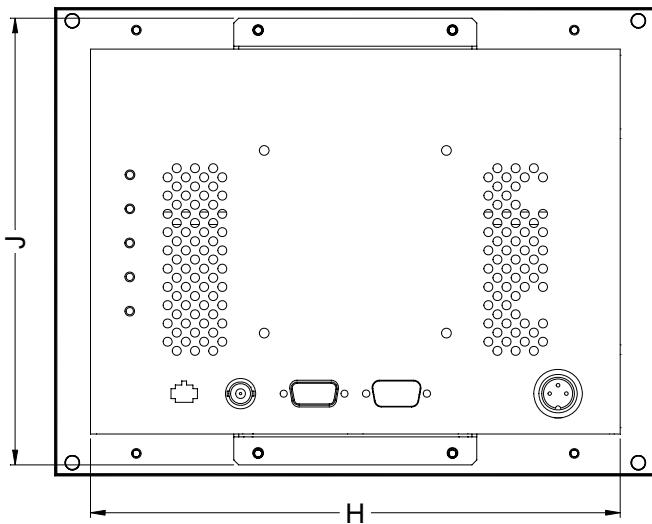
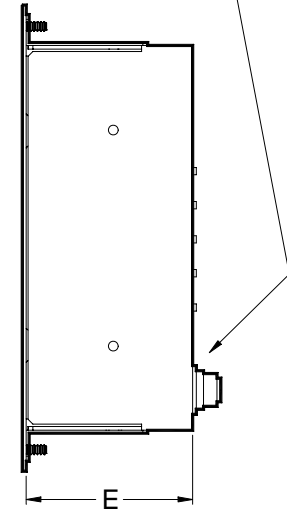
Fax: 944 806 681

29LV SERIES

LCD/CRT REPLACEMENTS (8.4", 10.4", 12.1")



All controls & inputs on rear.



CRT/LCD REPLACEMENT			
CRT	10"	12"	14"
LCD	29LV081(8.4")	29LV101(10.4")	29LV123(12.1")
A	170.9	211.2	246.0
B	128.2	158.4	184.5
C	246.6	289.2	329.3
D	191.4	225.7	260.7
E	68.5	68.5	55.0
F	233	272.0	311.4
G	181.5	211.8	243.2
H	222	257.6	294.0
J	183.5	221.9	238.0

All dimensions in Millimetres
(Not to scale)

MONITORES INDUSTRIALES

29lv0812-2

09/2005

<http://www.monitoresindustriales.es>

Tfn: 944 806 678

Fax: 944 806 681